

HyperDeck Studio Pro



HyperDeck Studio Pro is the ultimate in compatibility and technology, featuring a more advanced design that includes 6G-SDI so you get SD, HD and Ultra HD formats, plus HyperDeck Studio Pro includes a wide range of video and audio connections in both analog and digital so you get the widest compatibility with older and newer equipment. Get SD, HD up to 1080p60 and Ultra HD up to 2160p30 all in the one deck! Also includes 6G-SDI and Quad SDI, HDMI 4K, analog component, balanced analog audio and AES/EBU audio compatibility. You even get built in Thunderbolt for computer capture and UltraScope software for live scopes!

£1,625

Connections

SDI Video Input

3 x 10-bit SD/HD/3G switchable. 1 x 6G-SDI switchable.

SDI Video Output

4 x 10-bit SD/HD/3G/6G-SDI switchable. 1 x 10-bit SD/HD/3G-SDI switchable Monitor Output.

Analog Video Input

1 x Component YUV on 3 BNCs, supports HD and SD.

Analog Video Output

1 x Component YUV on 3 BNCs, supports HD and SD.

HDMI Videos Input

1 x HDMI type A connector including Ultra HD 4K support.

HDMI Video Output

1 x HDMI type A connector including Ultra HD 4K support.

Analog Audio Input

2 x XLR connectors for professional balanced analog audio. 2 x RCA connectors for unbalanced analog audio from consumer equipment.

Analog Audio Output

2 x XLR connectors for professional balanced analog audio.

SDI Audio Input

16 channels embedded in SD and HD in QuickTime files. 2 channels in Avid DNxHD MXF files.

SDI Audio Output

16 channels embedded in SD and HD in QuickTime files. 2 channels in Avid DNxHD MXF files.

HDMI Audio Input

8 channels embedded in SD and HD in QuickTime files. 2 channels in Avid DNxHD MXF files.

HDMI Audio Output

2 channels.

Timecode Input

1 x XLR connector for timecode input.

Timecode Output

1 x XLR connector for timecode output.

SSD Interface

2 x 2.5" SATA 3 Gb/s.

Sync Input

Black burst or Tri-Sync.

Device Control

Sony™ compatible RS422 deck control port.

Recorder Control

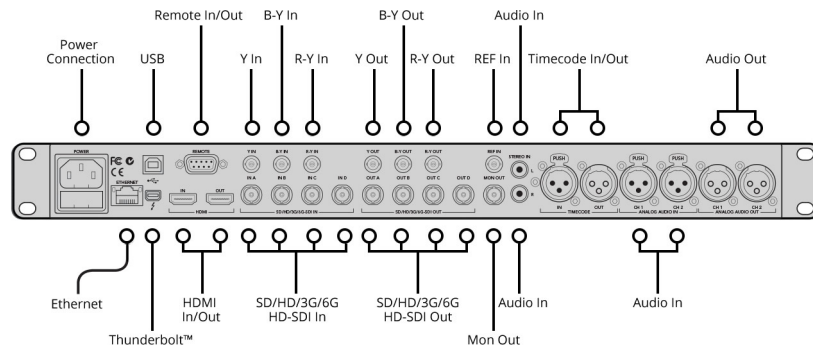
12 buttons and jog wheel for local control of HyperDeck Studio Pro or use either RJ45 Ethernet or USB 2.0 high speed interface.

Recorder Configuration

Front panel configurable or USB 2.0 high speed interface.

Computer Interface

1 x Thunderbolt™ port for capture of video and audio. 1 x type B USB 2.0 port for initial setup, software updates and HyperDeck Utility software control.



Standards

SD Format Support

625/25 PAL and 525/29.97 NTSC. 480p60 and 576p50 via HDMI only.

HD Format Support

720p50, 720p59.94, 720p60, 1080i50, 1080i59.94, 1080i60, 1080PsF23.98, 1080PsF24, 1080PsF25, 1080PsF29.97, 1080PsF30, 1080p23.98, 1080p24, 1080p25, 1080p29.97, 1080p30, 1080p50, 1080p59.94, 1080p60

4K Format Support

3840 x 2160p23.98, 3840 x 2160p24, 3840 x 2160p25, 3840 x 2160p29.97, 3840 x 2160p30

SDI Compliance

SMPTE 259M, SMPTE 292M, SMPTE 296M, SMPTE 425M

SDI Metadata Support

Time Code: HD RP188. Closed Captioning: CEA-708.

Audio Sampling

Television standard sample rate of 48 kHz and 24-bit

Video Sampling

4:2:2

Color Precision

10-bit

Color Space

REC 601, REC 709

Multiple Rate Support

SDI and HDMI switchable between SD, HD and Ultra HD. SDI switches between 270 Mb/s standard definition SDI, 1.5G-SDI HD, 3G-SDI and 6G-SDI. Analog SD/HD.

Copy Protection

HDMI input is unable to capture from copy protected HDMI sources. Always confirm copyright ownership before capture or distribution of content.

Codecs

Uncompressed QuickTime, Apple ProRes 422 HQ QuickTime, ProRes 422 QuickTime, ProRes 422 LT QuickTime, ProRes 422 Proxy QuickTime, Avid DNxHD.QuickTime, Avid DNxHD MXF

Software

Software Included

Media Express, Disk Speed Test, Blackmagic System Preferences and Blackmagic driver (Mac only).

Internal Software Upgrade

Firmware built into software driver. Loaded at system start, or via updater software.

Operating Systems



Mac OS X 10.10 Yosemite,
Mac OS X 10.11 El Capitan
or later.



Windows 8.1 or
Windows 10.

Display

Built-in LCD for video, audio and timecode monitoring and menu settings.

Physical Installation

1 rack unit size. Less than 7 inches deep.

Power Requirements

Power Supply

1 x built-in international AC power supply with IEC C14 inlet. 110-240V, 50-60Hz.

Physical Specifications



What's Included

HyperDeck Studio Pro
Software CD

Warranty

12 Month Limited Manufacturer's Warranty.

All items on this website are copyright Blackmagic Design Pty. Ltd. 2016, all rights reserved.
All trademarks are property of their respective owners. MSRP excludes sales taxes/duties and shipping costs.

Blackmagic Design Authorized Reseller